

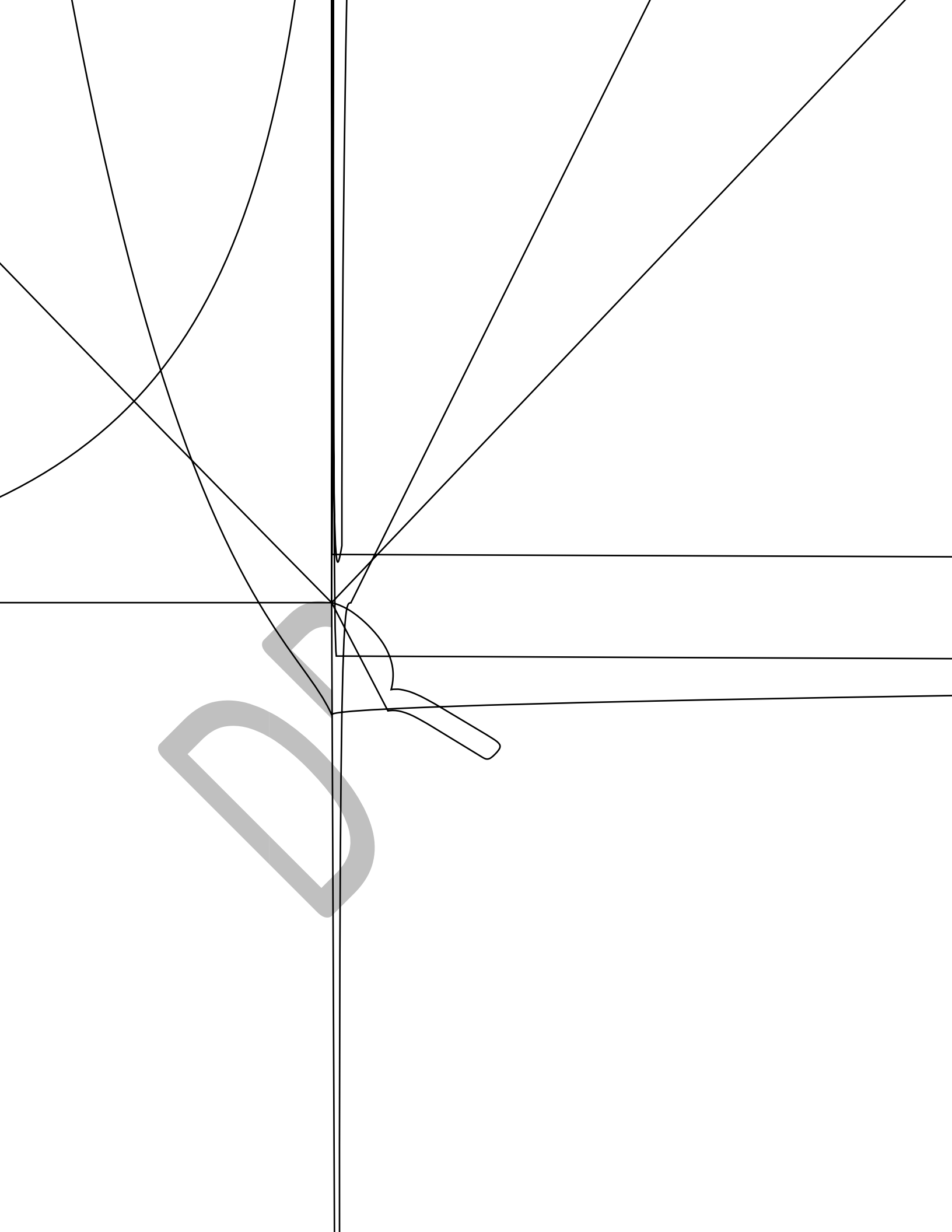
Strategic Recruitment and Enrollment Plan

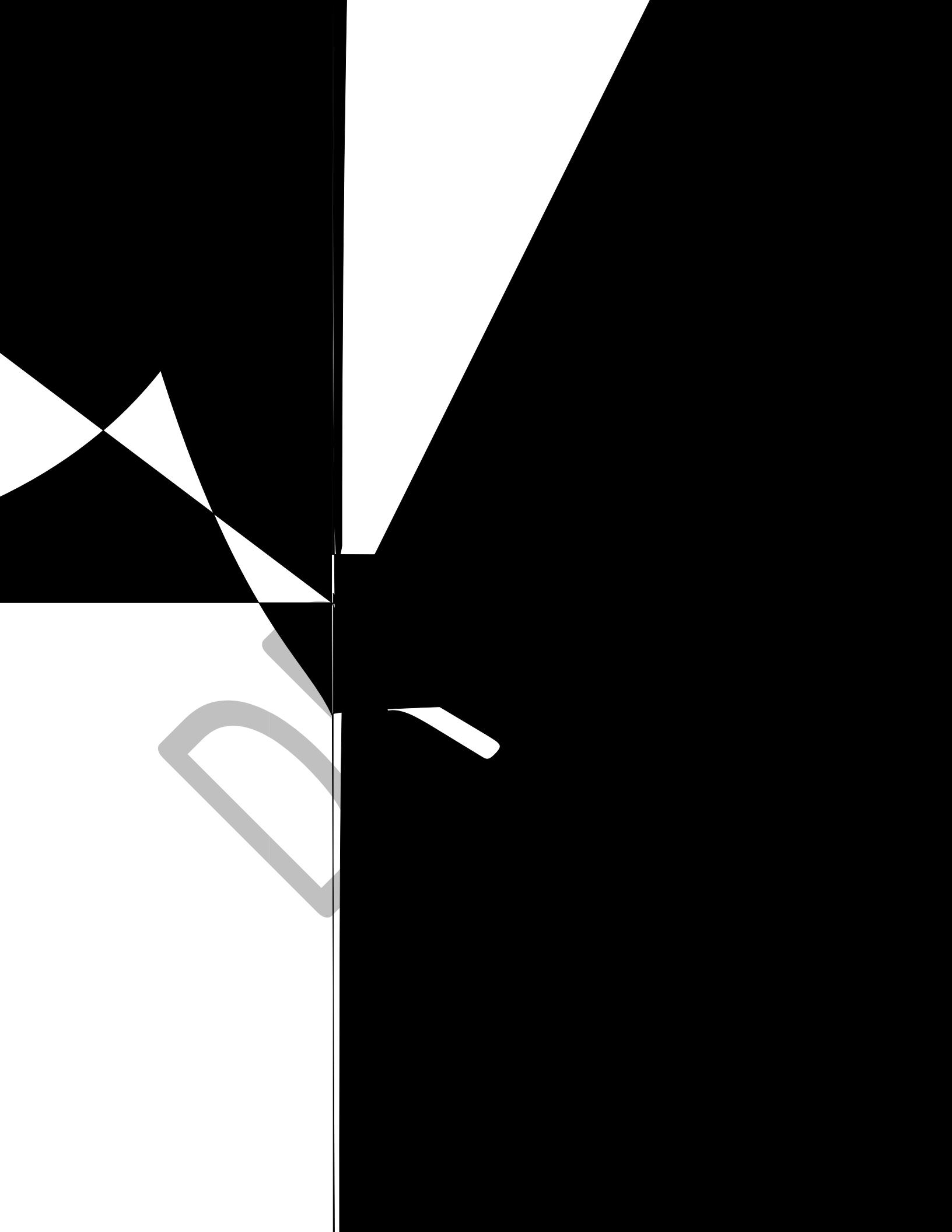


DRAFT

20 by 2027

Dr

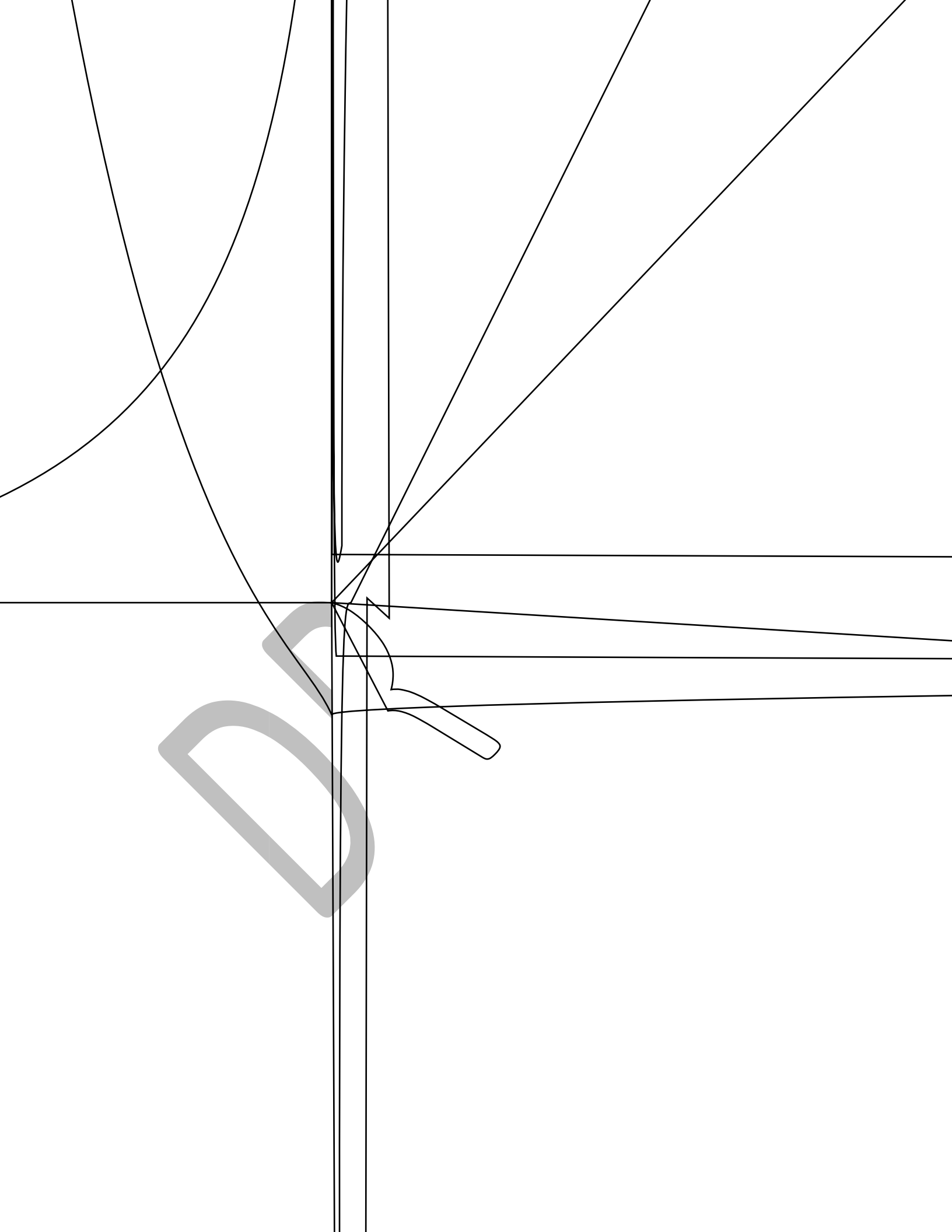


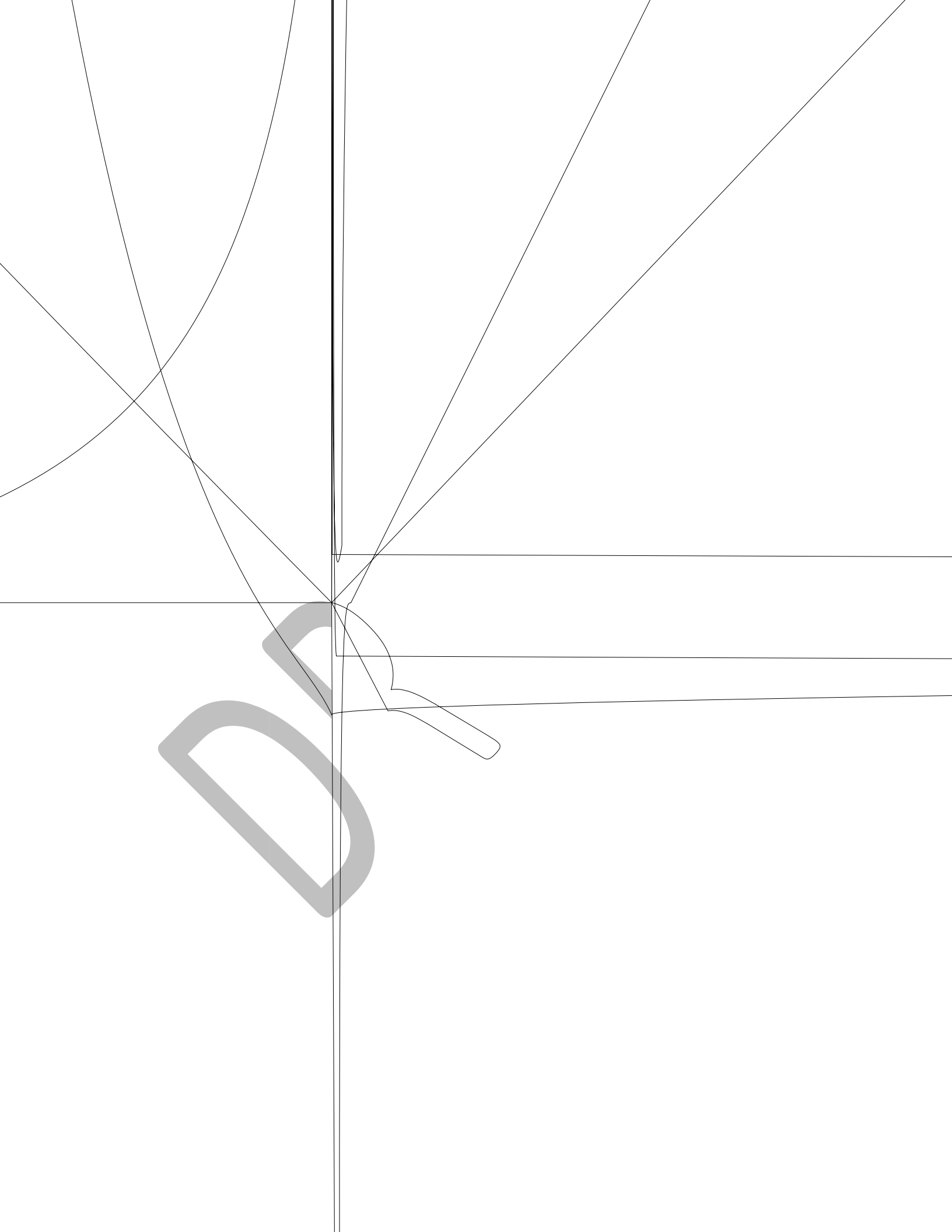


DS

DS

Dr



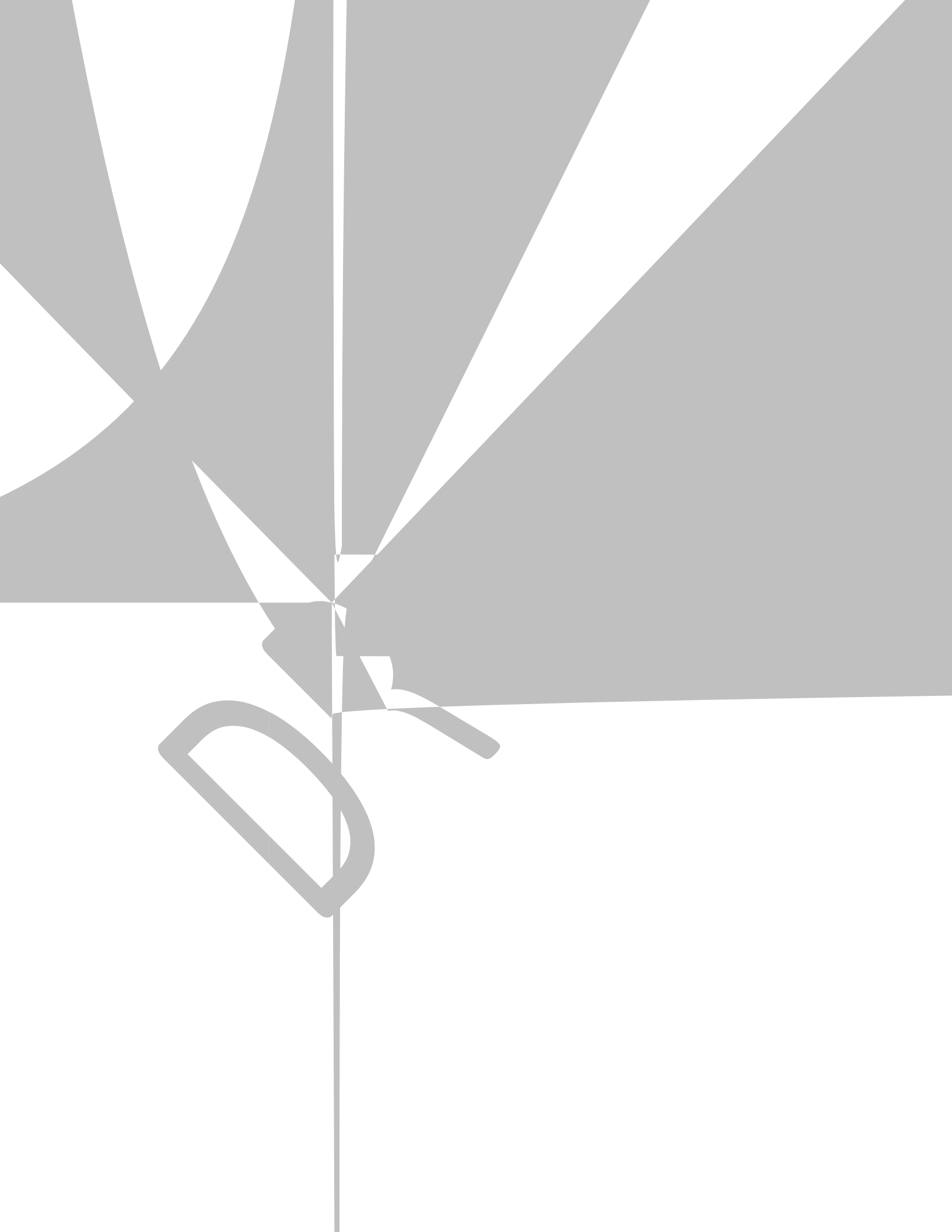


Dr

DS

DS

Dr



Dr